

MODEL NUMBER

7C-43658-DCA

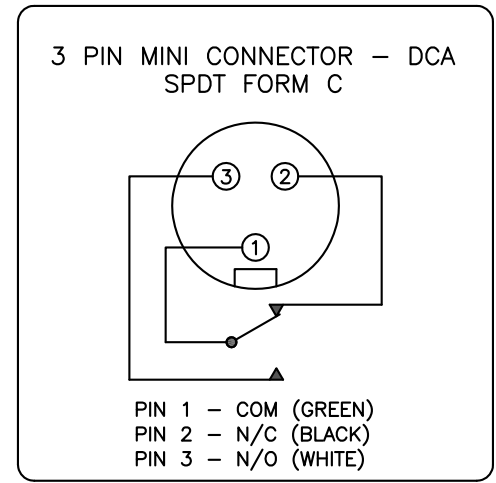
PRODUCT LINE

GO™ Switch 70 Series STG

SPECIFICATIONS

Model	1.025" probe length
Contact Form	SPDT, no indication
Sensing Range	0.090" end sensing
Outlet Position	Side entry, for QDC
Enclosure Material	Stainless steel, 3000 PSI
Area Classification	UL General Purpose
Wiring Option	QDC, mini, 3 pin
Custom Field	

WIRING DIAGRAM



Current as of April 18, 2018 – Subject to change without notice.

NAMEPLATE

Type 4X
0°C ≤ Ta ≤ 40°C
0.5A @ 125VDC
RATED 3,000 PSI
PROBE 1.025" (26.03mm)



TOPWORX
3300 Fern Valley Road
Louisville, KY 40213

(502)969-8000 PH
(502)969-5911 FAX
www.topworx.com

www.actuation.co.uk
tel: +44 (0)151 547 1221
sales@actuation.co.uk