



MODEL NUMBER

73-13568-B2

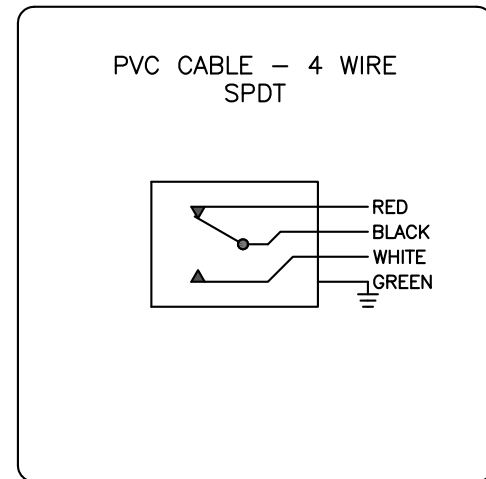
PRODUCT LINE

GO™ Switch 70 Series Hex Head

SPECIFICATIONS

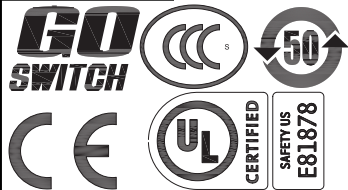
Model	73 Model
Contact Form	SPDT
Sensing Range	0.100" end sensing
Outlet Position	Bottom of enclosure
Enclosure Material	316L Stainless Steel
Area Classification	UL General Purpose
Wiring Option	PVC cable, 3ft
Regional Certification	No Regional Certification
Custom Field	

WIRING DIAGRAM



Current as of April 20, 2018 – Subject to change without notice.

NAMEPLATE



Industrial Control Equipment
Type 4X
120VAC/4A; 24VDC/3A Resistive
Conduit: 1/2 NPT

TOPWORX™

3300 Fern Valley Road
Louisville, KY 40213

(502)969-8000 PH
(502)969-5911 FAX
www.topworx.com

www.actuation.co.uk
tel: +44 (0)151 547 1221
sales@actuation.co.uk