

MODEL NUMBER

11-11510-00

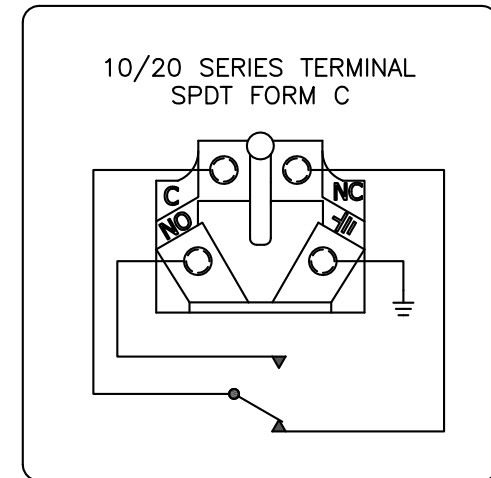
PRODUCT LINE

GO™ Switch 10/20 Series

SPECIFICATIONS

Model	11 Model
Contact Form	SPDT (Form C)
Sensing Range	Standard approx. 3/8" side
Outlet Position	Bottom of enclosure
Enclosure Material	Brass w/flat black lacquer
Area Classification	CSA/FM CI I, Div 2
Wiring Options	Terminal block - 1/2" NPT
Regional Certification	No regional certification
Custom Field	

WIRING DIAGRAM



Current as of April 20, 2018 – Subject to change without notice.

NAMEPLATE



CL I DIV 2, GRPS A,B,C,D; CL II DIV 1, GRPS E,F,G; CL III, TYPE 4X
 T₁/T₂: 50°C ≤ T_a ≤ 60°C/90°C
 ELECTRICAL RATING: 120VAC/10A, 24VDC/3A RESISTIVE; 480VAC/24VDC MAX.
 LEAD SEAL IS REQUIRED WITHIN 18" OF ENCLOSURE.
 CAUTION: KEEP COVER TIGHT WHILE CIRCUITS ARE LIVE.

Model #: _____ Serial #: _____



TOPWORX™

3300 Fern Valley Road
 Louisville, KY 40213

(502)969-8000 PH
 (502)969-5911 FAX
 www.topworx.com

www.actuation.co.uk
tel: +44 (0)151 547 1221
sales@actuation.co.uk