

## MODEL NUMBER

TVH-E20GLMM

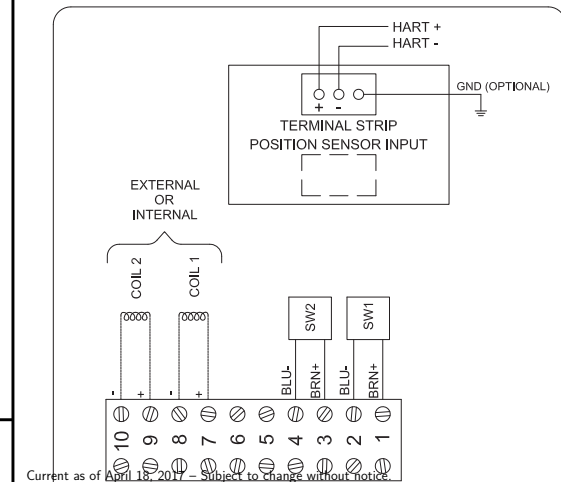
## PRODUCT LINE

Switchbox TVF, TVH, and TVL

## SPECIFICATIONS

Enclosure	316 Stainless Steel base and lid
Bus/Sensor	(2) p+f NJ2+V3-N inductive NAMUR
Area Classification	Intrinsically safe
Visual Display	Standard 90° Green OPEN, Red CLOSED
Shaft	1" Extended Linear Shaft
Conduit Entries	(2) M20
O-Rings	Silicone
Pilot	No pilot option
Spool Valve	No spool valve option
Valve Cv	No valve Cv option
Manual Override	No manual override option
Regional Certification	No regional cert option
N Switch	No N Switch

## WIRING DIAGRAM



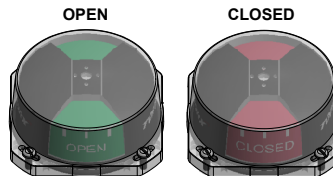
## NAMEPLATE



Telemetering Equipment for Hazardous Locations  
**WARNING:** Substitution of components may impair intrinsic safety. Enclosure contains aluminum - avoid ignition hazards due to impact or friction. Potential electrostatic charging hazard. Clean only with damp cloth.  
**AVERTISSEMENT:** La substitution de composants peut compromettre la sécurité intrinsèque. Boîtier contient de l'aluminium - éviter inflammation due à des risques d'impact ou de friction. Danger potentiel de charge électrostatique. Nettoyer avec un chiffon humide.

CI I Div 1, Grps A-D; CI II Div 1, Grps E-G, Type 4X  
 Ex ia IIC T4 Gb; Ex tb IIIC T75°C Db; IP66/68  
 -50°C ≤ Ta ≤ 56°C  
 Sira I3ATEX2350AX IECEx SIR 13.0146X  
 Intrinsically Safe - Exia / Sécurité Intrinsèque  
 Install per Control Drawing ES-03042-1  
 Model #:

TopWorx  
 3300 Fern Valley Road  
 Louisville, KY 40213 USA  
 www.topworx.com  
 Serial #:



## TOPWORX

3300 Fern Valley Road  
 Louisville, KY 40213

(502)969-8000 PH  
 (502)969-5911 FAX  
 www.topworx.com



www.actuation.co.uk  
 tel: +44 (0)151 547 1221  
 sales@actuation.co.uk